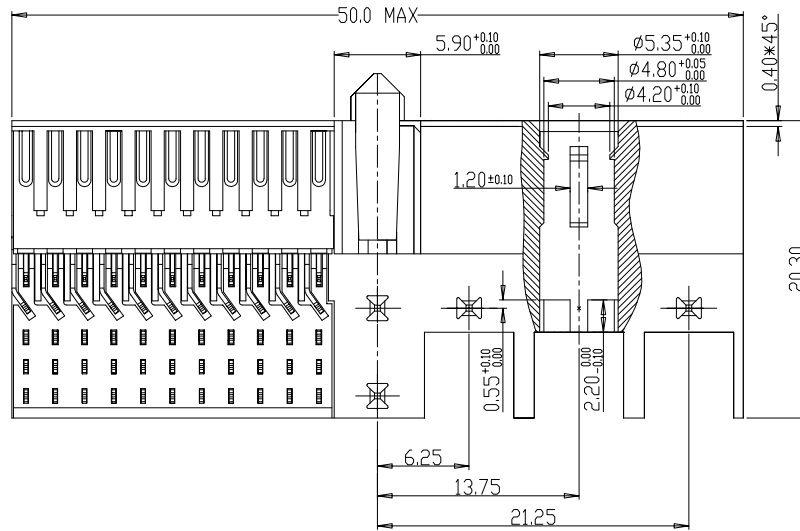
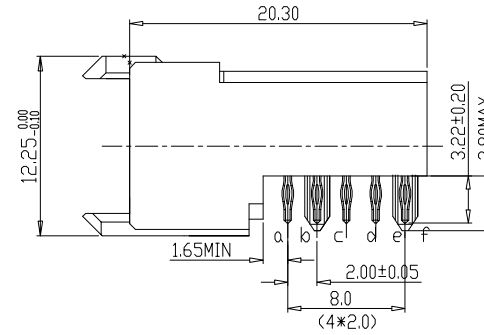
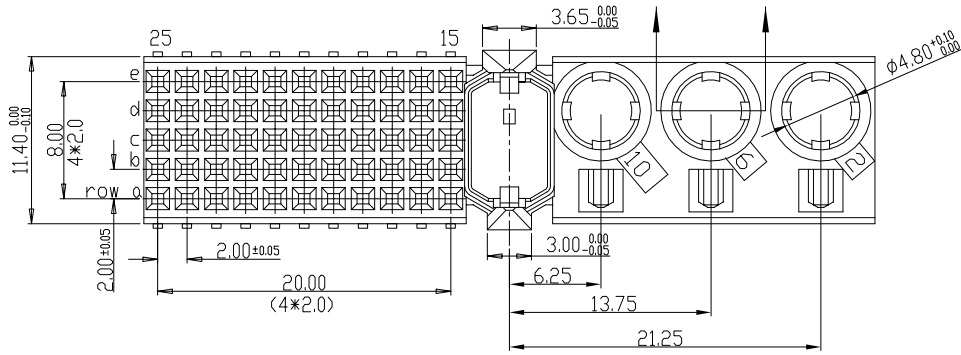


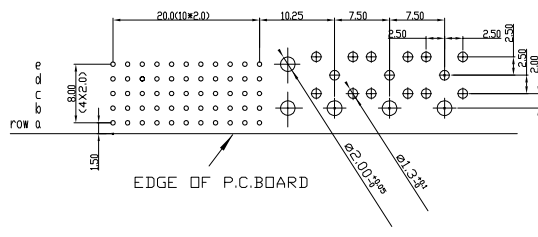
Tous droits strictement reserves. Reproduction ou communication a des tiers interdite sous quelque forme que ce soit sans autorisation ecrite du proprietaire. Propriete de c FCI. Droits de reproduction FCI.



All rights strictly reserved. Reproduction or issue to third parties in any form whatever is not permitted without written authority from the proprietor. Property of FCI. Copyright FCI.



LAY-OUT  
P.C.B.- HOLE



rev	ecn no	dr	date
A	CONVERSION REVISION 06	KN	14-09-01
B	105-0081	ALEX	31-05-05
C	DG07-0362	Kasor	05-09-07

Material		Spec ref		
Mat code		✓	tolerance	projection
Heattreat			1DEC+0.2 1DEC 2DEC + 0.10 2DEC ANGLES+1*HOKEN	
Plating/Finish		size		MM
Dr	W.Panis	18-09-96	A4	Scale 1.500
Eng	Product family		MILLIPICS	
Chr	Model Name		ECN	
Appr	Model Revision		REL Level	
	title		dlg no	Rev.
Pro/E file	catalog no	HM2R05PA5100----	BS,C ,201418,005	C
			CUSTOMER	sheet 1 of 1

PERFORMANCE CHARACTERISTICS

CURRENT RATING: 1.5 A AT 20°C (FULLY LOADED)  
1 A AT 70°C (FULLY LOADED)  
RATED VOLTAGE: 500 V AC (CONT /CONT)  
OPERATING TEMPERATURE : -55°C TO 125°C  
CONTACT RESISTANCE : 20 mΩ MAX  
INSERTION FORCE: 0.75N MAX/CONT  
EXTRACTION FORCE : 0.15N MIN /CONT  
INSULATION RESISTANCE: 10<sup>4</sup> MΩ MIN

NOTES

- LEAD FREE INDICATOR :LF=LEAD FREE
- PERFORMANCE LEVEL INDICATOR (REF DWG NO.BS.C.201844.003)
- THIS PRODUCT IS CSA APPROVED. THIS PRODUCT IS UL RECOGNIZED.
- FOR RECOMMENDED PTH DIMENSIONS REFER DRAWING :BS.A.201572.001
- THIS PRODUCT (LF) MEETS EUROPEAN UNION DIRECTIVES AND OTHER COUNTRY REGULATIONS AS DESCRIBED IN GS-22-008